

SPEEDWING™

MOVIN' SNOW
FAST



860SW



Speedwing...a plow with wings

New and Exciting...

In a league of its own, the SPEEDWING® creates a whole new category of multi-position pickup truck and tractor mounted plows.

Fast and Agile...

The model 760SW (-TR) Speedwing is a perfect fit for 2-4 tons tractors creating a fast and agile plowing package.

Brute Snow Pusher...

Model 860SW (-TR) Speedwing on the other hand, will transform any 5 tons tractor into a brute snow pusher.

BLIZZARD SPEEDWING can be mounted on:

- front wheel loaders
- tractors
- pick-up trucks.



760SW-TR

SMART

WINGS

SMART

CONCEPT

SMART

INVESTMENT



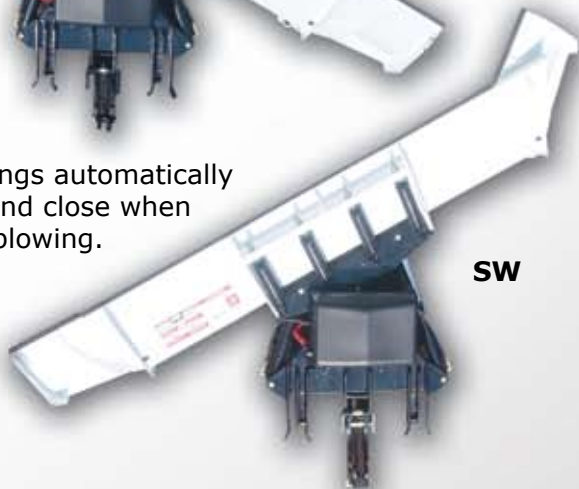
SW-TR

The Speedwing automatically defaults to a scoop position for straight forward plowing.



SW

The wings automatically open and close when angle plowing.



SW



The leading wing retains its forward position to prevent spillover..

SNOWPLOW SPECIFICATIONS	760SW/SW-TR	860SW/SW-TR
BLADE WIDTH (scoop)	2300	2600
BLADE WIDTH (angled)	2000	2350
BLADE HEIGHT	650	750
PLOG VIKT (kg)*	270/380	380/450

* Plow weight does not include undercarriage mount.

Automatic Scoop...

The Speedwing automatically defaults to a scoop position for straight forward plowing. The scoop position creates maximum snow containment for pushing and stacking snow.

Angle Plowing...

The wings automatically open and close when angle plowing. When the blade is angled, the trailing wing automatically drops back inline with the main moldboard, while the leading wing retains its forward position to prevent spillover.

Back Blading...

The wings can be mechanically fixed in a straight blade position for back blading operations.

IMPORTER:

OY HILLTIP AB

Kangastie 9
68600 Pietarsaari
FINLAND



+358 50 598 3026
info@hilltip.com
www.hilltip.com
www.blizzardplows.eu

DEALER: